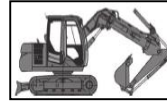


# DITCH CLEANING BUCKET – TILT 2 x 45° 2 HYDRAULIC RAMS

## AS4

The TILT DITCH CLEANING BUCKET will be useful for ending works as cleaning of ditches, terracing works, levelling works, etc. This tilt option is stable on the ground and remains in position to ease the it's next grabbing.

### MACHINE TECHNICAL DATA



MODULE	4
MACHINE WEIGHT RANGE	7,5 t – 10 t
BREAK OUT FORCE	73 kN
MAX. EXCAVATING TORQUE	88 mkN

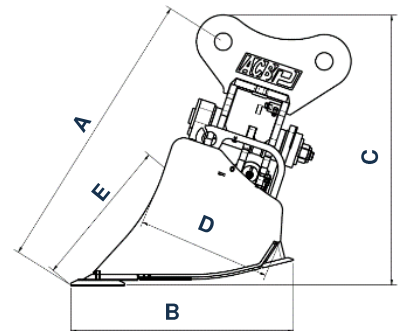


	Width	Volume	Bucket weight*1	Total weight*2	Rear lip weight
4IP1	1 600 mm	416 l	517 kg	1 266 kg	30 kg
	1 700 mm	444 l	535 kg	1 334 kg	32 kg
	1 800 mm	471 l	553 kg	1 400 kg	35 kg

\*1 Bucket weight includes the Bolted lip weight

\*2 Total weight = (ISO Volume in l x Density 1,8) + Bucket weight in kg

4IP1	
A	1 016 mm
B	784 mm
C	952 mm
D	490 mm
E	570 mm



The displayed product is a generic product. It may be customized to meet the customer's requests. The technical data may evolve with the specifications and the bucket features. No part of this document may be copied, or reproduced, or transmitted in any forms or any means to other third person, without the prior written allowance of ACB PUME.

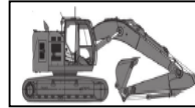


# DITCH CLEANING BUCKET – TILT 2 x 45° 2 HYDRAULIC RAMS

## AS5

The TILT DITCH CLEANING BUCKET will be useful for ending works as cleaning of ditches, terracing works, levelling works, etc. This tilt option is stable on the ground and remains in position to ease the it's next grabbing.

### MACHINE TECHNICAL DATA



MODULE	5
MACHINE WEIGHT RANGE	10 t – 15 t
BREAK OUT FORCE	110 kN
MAX. EXCAVATING TORQUE	143 mkN

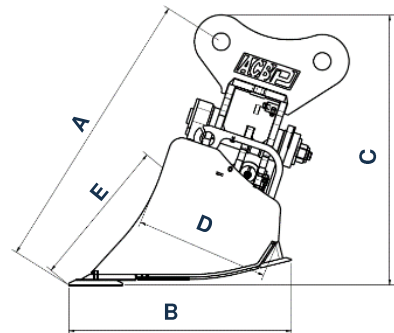
	Width	Volume	Bucket weight*1	Total weight*2	Rear lip weight
5IP1	1 800 mm	471 l	652 kg	1 500 kg	35 kg
	2 000 mm	527 l	692 kg	1 641 kg	40 kg
5CP1	1 800 mm	502 l	890 kg	1 794 kg	60 kg
	2 000 mm	562 l	947 kg	1 959 kg	69 kg
	2 200 mm	622 l	1 000 kg	2 120 kg	78 kg



\*1 Bucket weight includes the Bolted lip weight

\*2 Total weight = (ISO Volume in l x Density 1,8) + Bucket weight in kg

	5IP1	5CP1
A	1 069 mm	1 165 mm
B	833 mm	900 mm
C	1 027 mm	1 163 mm
D	490 mm	492 mm
E	570 mm	615 mm



The displayed product is a generic product. It may be customized to meet the customer's requests. The technical data may evolve with the specifications and the bucket features. No part of this document may be copied, or reproduced, or transmitted in any forms or any means to other third person, without the prior written allowance of ACB PUME.

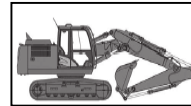


# DITCH CLEANING BUCKET – TILT 2 x 45° 2 HYDRAULIC RAMS

## AS6

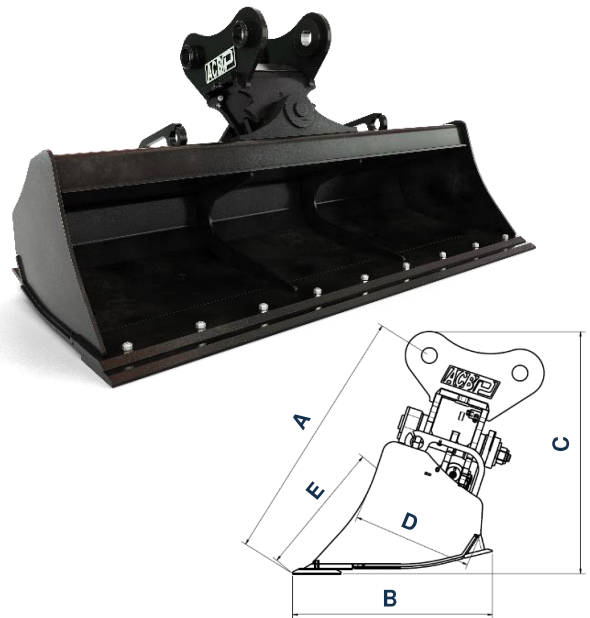
The TILT DITCH CLEANING BUCKET will be useful for ending works as cleaning of ditches, terracing works, levelling works, etc. This tilt option is stable on the ground and remains in position to ease the it's next grabbing.

### MACHINE TECHNICAL DATA



MODULE	6
MACHINE WEIGHT RANGE	15 t – 24 t
BREAK OUT FORCE	180 kN
MAX. EXCAVATING TORQUE	288 mkN

	Width	Volume	Bucket weight*1	Total weight*2	Rear lip weight
6CP1	1 800 mm	502 l	932 kg	1 836 kg	60 kg
	2 000 mm	562 l	991 kg	2 003 kg	70 kg
	2 200 mm	622 l	1 045 kg	2 165 kg	77 kg
	2 400 mm	682 l	1 140 kg	2 368 kg	85 kg
	2 500 mm	712 l	1 280 kg	2 562 kg	90 kg
6CP2	1 800 mm	744 l	990 kg	2 329 kg	63 kg
	2 000 mm	834 l	1 049 kg	2 550 kg	71 kg
	2 200 mm	923 l	1 108 kg	2 769 kg	77 kg
	2 400 mm	1 013 l	1 167 kg	2 990 kg	87 kg
	2 500 mm	1 045 l	1 194 kg	3 075 kg	90 kg
6CP3	1 800 mm	932 l	1 058 kg	2 736 kg	64 kg
	2 000 mm	1 045 l	1 120 kg	3 001 kg	71 kg
	2 200 mm	1 158 l	1 184 kg	3 268 kg	76 kg
	2 400 mm	1 270 l	1 247 kg	3 533 kg	86 kg
	2 500 mm	1 330 l	1 278 kg	3 672 kg	89 kg



	6CP1	6CP2	6CP3
--	------	------	------

A	1 204 mm	1 351 mm	1 451 mm
B	900 mm	960 mm	1 091 mm
C	1 198 mm	1 309 mm	1 382 mm
D	491 mm	529 mm	567 mm
E	615 mm	766 mm	868 mm

\*1 Bucket weight includes the Bolted lip weight

\*2 Total weight = (ISO Volume in l x Density 1,8) + Bucket weight in kg

The displayed product is a generic product. It may be customized to meet the customer's requests. The technical data may evolve with the specifications and the bucket features. No part of this document may be copied, or reproduced, or transmitted in any forms or any means to other third person, without the prior written allowance of ACB PUME.



# DITCH CLEANING BUCKET – TILT 2 x 45° 2 HYDRAULIC RAMS

## AS7/AS7+

The TILT DITCH CLEANING BUCKET will be useful for ending works as cleaning of ditches, terracing works, levelling works, etc. This tilt option is stable on the ground and remains in position to ease the it's next grabbing.

### MACHINE TECHNICAL DATA

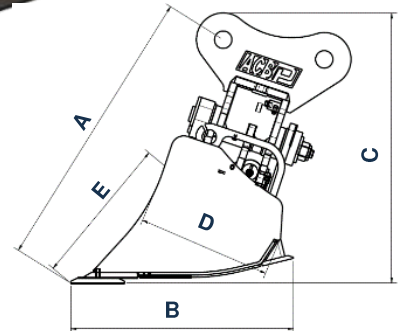


MODULE	7 – 7+
MACHINE WEIGHT RANGE	24t-35t / 35t-45t
BREAK OUT FORCE	249 kN
MAX. EXCAVATING TORQUE	473 mkN

	Width	Volume	Bucket weight*1	Total weight*2
7IP1	2 200 mm	1 158 l	1 412 kg	3 496 kg
	2 400 mm	1 270 l	1 474 kg	3 760 kg
7IP2	2 200 mm	1 700 l	1 933 kg	4 993 kg
	2 400 mm	1 870 l	2 042 kg	5 408 kg
7IP3	2 200 mm	2 100 l	2 013 kg	5 793 kg
	2 500 mm	2 396 l	5 340 kg	9 653 kg

\*1 Bucket weight includes the Bolted lip weight + the Rear Lip

	7IP1	7IP2	7IP3
A	1 552 mm	1 702 mm	1 834 mm
B	1 091 mm	1 258 mm	1 357 mm
C	1 525 mm	1 642 mm	1 738 mm
D	567 mm	690 mm	741 mm
E	876 mm	1 033 mm	1 172 mm



The displayed product is a generic product. It may be customized to meet the customer's requests. The technical data may evolve with the specifications and the bucket features. No part of this document may be copied, or reproduced, or transmitted in any forms or any means to other third person, without the prior written allowance of ACB PUME.

