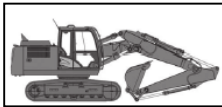


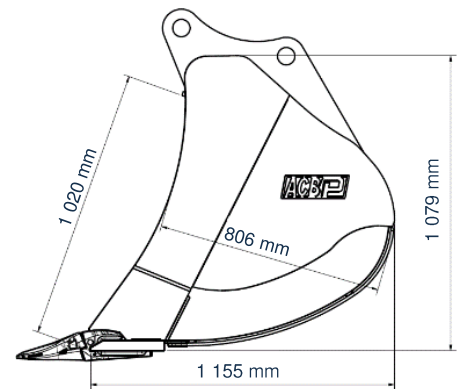
# EARTHMOVING BUCKET HD (HEAVY DUTY) RANGE 61

*Specifically designed for construction and excavation jobs, it will meet your needs for any soft ground environments, as well as, more difficult ones. It can also be reinforced. Please contact us for more information !*

MACHINE TECHNICAL DATA	
MODULE	<b>6</b>
MACHINE WEIGHT RANGE	15 t – 24 t
BREAK OUT FORCE	180 kN
BUCKET RADIUS	1 600 mm
MAX. EXCAVATING TORQUE	288 mkN
TOOTH SIZE	D15-D20-D30



Width	Volume	Bucket weight	Total weight *
P1E 400 mm	245 l	350 kg	791 kg
P1E 500 mm	310 l	440 kg	998 kg
P1E 600 mm	359 l	465 kg	1 111 kg
P1E 700 mm	445 l	530 kg	1 331 kg
P1E 800 mm	512 l	570 kg	1 492 kg
P1E 900 mm	626 l	610 kg	1 737 kg
P1E 1 000 mm	719 l	640 kg	1 934 kg
P1E 1 100 mm	812 l	683 kg	2 145 kg
P1E 1 200 mm	905 l	727 kg	2 356 kg
P1E 1 300 mm	999 l	764 kg	2 562 kg



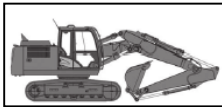
\* Total weight = (ISO Volume in l x Density 1,8) + Bucket weight in kg

*The displayed product is a generic product. It may be customized to meet the customer's requests. The technical data may evolve with the specifications and the bucket features. No part of this document may be copied, or reproduced, or transmitted in any forms or any means to other third person, without the prior written allowance of ACB PUME.*



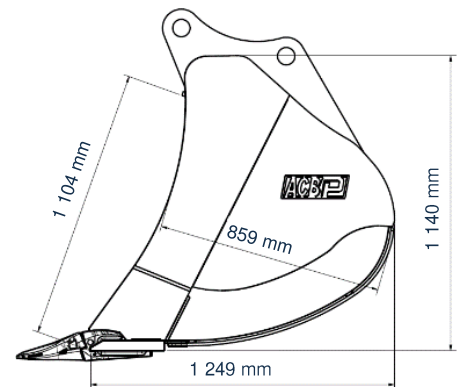
# EARTHMOVING BUCKET HD (HEAVY DUTY) RANGE 62

*Specifically designed for construction and excavation jobs, it will meet your needs for any soft ground environments, as well as, more difficult ones. It can also be reinforced. Please contact us for more information !*

MACHINE TECHNICAL DATA	
MODULE	<b>6</b>
MACHINE WEIGHT RANGE	15 t – 24 t
BREAK OUT FORCE	180 kN
BUCKET RADIUS	1 600 mm
MAX. EXCAVATING TORQUE	288 mkN
TOOTH SIZE	D20-D30



Width	Volume	Bucket weight	Total weight *
P1E 500 mm	81 gal	1 129 lb	2 627 lb
P1E 600 mm	93 gal	1 202 lb	2 887 lb
P1E 700 mm	112 gal	1 268 lb	3 286 lb
P1E 800 mm	137 gal	1 367 lb	3 834 lb
P1E 900 mm	160 gal	1 475 lb	4 365 lb
P1E 1 000 mm	184 gal	1 544 lb	4 863 lb
P1E 1 100 mm	208 gal	1 718 lb	5 473 lb
P1E 1 200 mm	233 gal	1 795 lb	5 988 lb
P1E 1 300 mm	257 gal	1 894 lb	6 526 lb
P1E 1 400 mm	281 gal	1 991 lb	7 061 lb

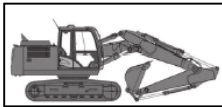


\* Total weight = (ISO Volume in l x Density 1,8) + Bucket weight in kg

*The displayed product is a generic product. It may be customized to meet the customer's requests. The technical data may evolve with the specifications and the bucket features. No part of this document may be copied, or reproduced, or transmitted in any forms or any means to other third person, without the prior written allowance of ACB PUME.*

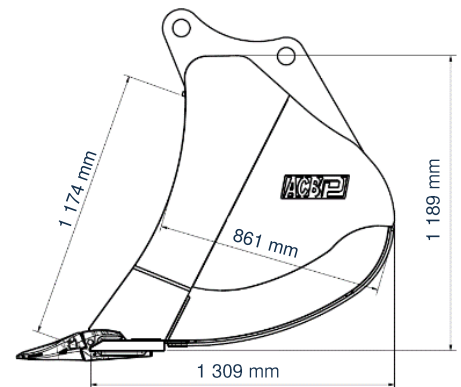
# EARTHMOVING BUCKET HD (HEAVY DUTY) RANGE 63

*Specifically designed for construction and excavation jobs, it will meet your needs for any soft ground environments, as well as, more difficult ones. It can also be reinforced. Please contact us for more information !*

MACHINE TECHNICAL DATA	
MODULE	<b>6</b>
MACHINE WEIGHT RANGE	15 t – 24 t
BREAK OUT FORCE	180 kN
BUCKET RADIUS	1 600 mm
MAX. EXCAVATING TORQUE	288 mkN
TOOTH SIZE	D30



Width	Volume	Bucket weight	Total weight *
P1E 600 mm	495 l	569 kg	1 455 kg
P1E 700 mm	580 l	581 kg	1 513 kg
P1E 800 mm	690 l	603 kg	1 676 kg
P1E 900 mm	697 l	685 kg	1 940 kg
P1E 1 000 mm	891 l	752 kg	2 259 kg
P1E 1 200 mm	1 125 l	847 kg	2 872 kg
P1E 1 400 mm	1 362 l	954 kg	3 406 kg
P1E 1 500 mm	1 481 l	999 kg	3 665 kg
P1E 1 600 mm	1 599 l	1 055 kg	3 933 kg




\* Total weight = (ISO Volume in l x Density 1,8) + Bucket weight in kg

*The displayed product is a generic product. It may be customized to meet the customer's requests. The technical data may evolve with the specifications and the bucket features. No part of this document may be copied, or reproduced, or transmitted in any forms or any means to other third person, without the prior written allowance of ACB PUME.*

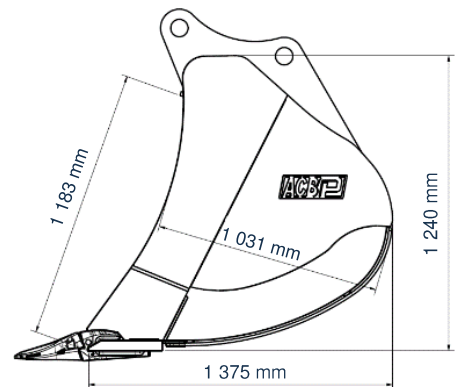
# EARTHMOVING BUCKET HD (HEAVY DUTY) RANGE 71

Specifically designed for construction and excavation jobs, it will meet your needs for any soft ground environments, as well as, more difficult ones. It can also be reinforced. Please contact us for more information !

MACHINE TECHNICAL DATA	
MODULE	7 – 7+
MACHINE WEIGHT RANGE	24t-35t / 35t-45t
BREAK OUT FORCE	249 kN
BUCKET RADIUS	1 900 mm
MAX. EXCAVATING TORQUE	473 mkN
TOOTH SIZE	D30-D40



Width	Volume	Bucket weight	Total weight *
P1E 850 mm	800 l	929 kg	2 369 kg
P1E 1 400 mm	1 370 l	1 317 kg	3 783 kg
P1E 1 500 mm	1 500 l	1 375 kg	4 075 kg
P1E 1 600 mm	1 620 l	1 438 kg	4 354 kg
P1E 1 700 mm	1 740 l	1 520 kg	4 652 kg




\* Total weight = (ISO Volume in l x Density 1,8) + Bucket weight in kg

The displayed product is a generic product. It may be customized to meet the customer's requests. The technical data may evolve with the specifications and the bucket features. No part of this document may be copied, or reproduced, or transmitted in any forms or any means to other third person, without the prior written allowance of ACB PUME.

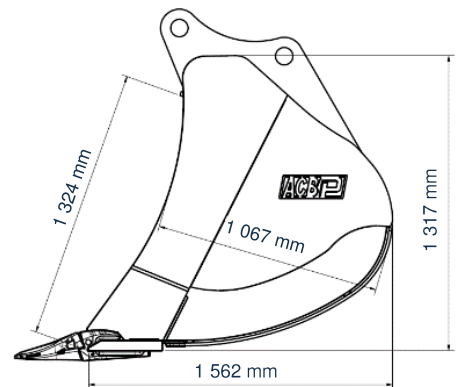
# EARTHMOVING BUCKET HD (HEAVY DUTY) RANGE 72

*Specifically designed for construction and excavation jobs, it will meet your needs for any soft ground environments, as well as, more difficult ones. It can also be reinforced. Please contact us for more information !*

MACHINE TECHNICAL DATA	
MODULE	7 – 7+
MACHINE WEIGHT RANGE	24t-35t / 35t-45t
BREAK OUT FORCE	249 kN
BUCKET RADIUS	1 900 mm
MAX. EXCAVATING TORQUE	473 mkN
TOOTH SIZE	D40-D55



Width	Volume	Bucket weight	Total weight *
P1E 850 mm	900 l	994 kg	2 614 kg
P1E 1 000 mm	1 140 l	1 191 kg	3 243 kg
P1E 1 300 mm	1 480 l	1 410 kg	4 074 kg
P1E 1 500 mm	1 780 l	1 548 kg	4 752 kg
P1E 1 600 mm	1 930 l	1 621 kg	5 095 kg
P1E 1 700 mm	2 090 l	1 690 kg	5 452 kg




\* Total weight = (ISO Volume in l x Density 1,8) + Bucket weight in kg

*The displayed product is a generic product. It may be customized to meet the customer's requests. The technical data may evolve with the specifications and the bucket features. No part of this document may be copied, or reproduced, or transmitted in any forms or any means to other third person, without the prior written allowance of ACB PUME.*



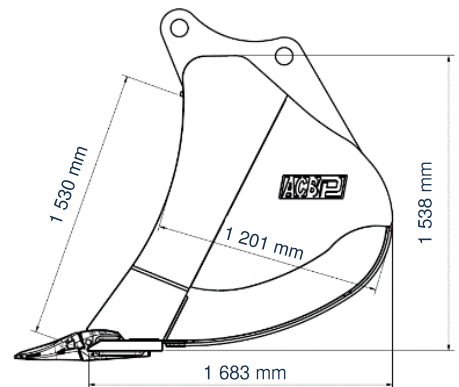
# EARTHMOVING BUCKET HD (HEAVY DUTY) RANGE 73

*Specifically designed for construction and excavation jobs, it will meet your needs for any soft ground environments, as well as, more difficult ones. It can also be reinforced. Please contact us for more information !*

MACHINE TECHNICAL DATA	
MODULE	7 – 7+
MACHINE WEIGHT RANGE	24t-35t / 35t-45t
BREAK OUT FORCE	249 kN
BUCKET RADIUS	1 900 mm
MAX. EXCAVATING TORQUE	473 mkN
TOOTH SIZE	D40-D55



Width	Volume	Bucket weight	Total weight *
P1E 1 100 mm	1 571 l	1 811 kg	4 639 kg
P1E 1 300 mm	1 857 l	2 140 kg	5 483 kg
P1E 1 400 mm	2 000 l	2 305 kg	5 905 kg
P1E 1 500 mm	2 143 l	2 470 kg	6 327 kg
P1E 1 600 mm	2 286 l	2 634 kg	6 749 kg
P1E 1 800 mm	2 571 l	2 964 kg	7 592 kg



\* Total weight = (ISO Volume in l x Density 1,8) + Bucket weight in kg

*The displayed product is a generic product. It may be customized to meet the customer's requests. The technical data may evolve with the specifications and the bucket features. No part of this document may be copied, or reproduced, or transmitted in any forms or any means to other third person, without the prior written allowance of ACB PUME.*